

Technical data sheet

Product features



Electric range with static oven

Model	SAP Code	00008821
--------------	-----------------	----------



- Device type: Electric unit
- Type of internal part of the appliance 1 (eg oven): Electric
- Type of internal part of the appliance 2 (eg oven): Static
- Protection of controls: IP24
- Material: AISI 304 top plate and cladding

SAP Code	00008821	Power electric [kW]	16.700
Net Width [mm]	800	Loading	400 V / 3N - 50 Hz
Net Depth [mm]	730	Type of internal part of the appliance 1 (eg oven)	Electric
Net Height [mm]	900	Type of internal part of the appliance 2 (eg oven)	Static
Net Weight [kg]	92.00		

Technical data sheet

Technical drawing

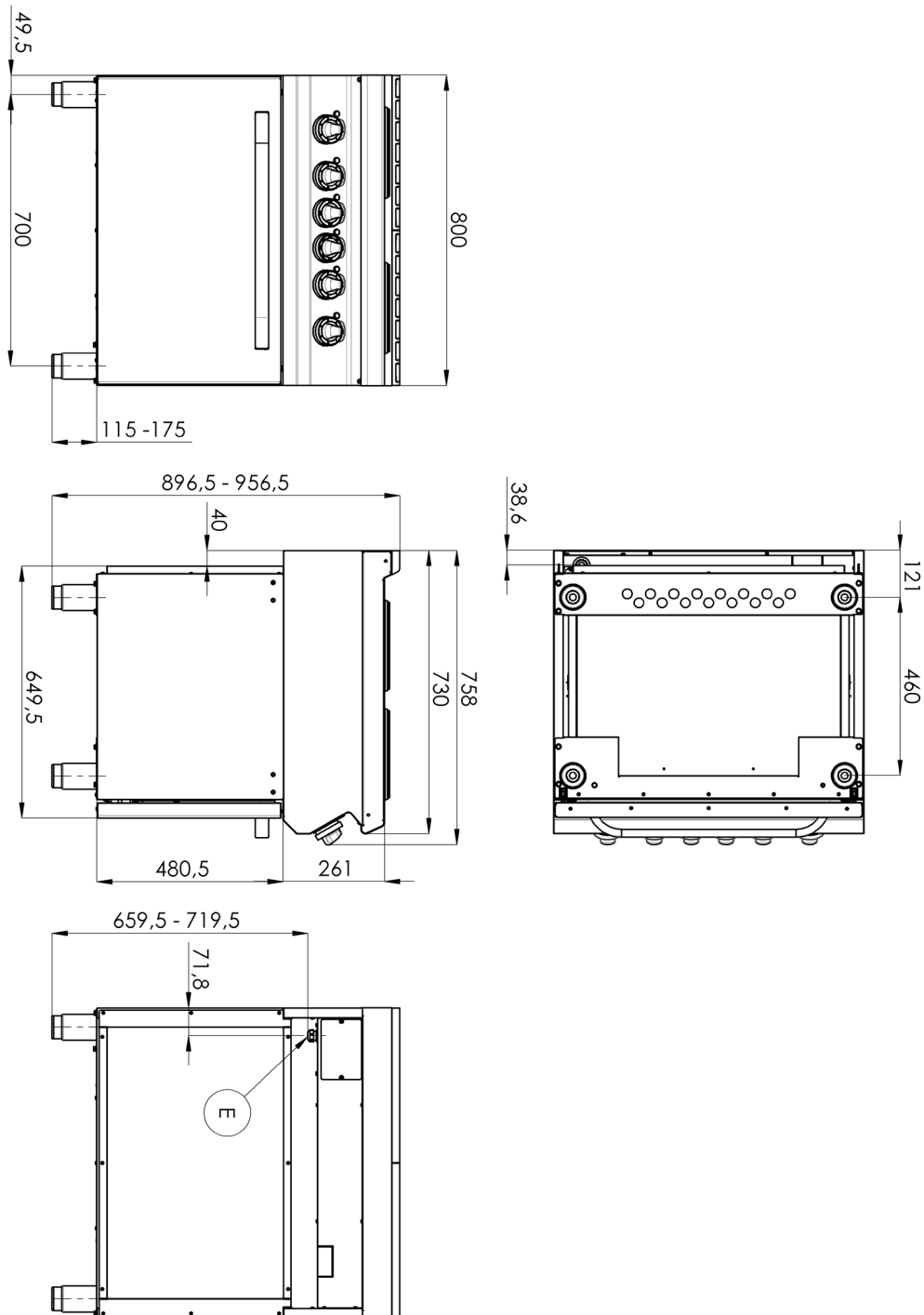


Electric range with static oven

Model

SAP Code

00008821



Technical data sheet

Technical parameters



Electric range with static oven

Model

SAP Code

00008821

1. SAP Code:

00008821

2. Net Width [mm]:

800

3. Net Depth [mm]:

730

4. Net Height [mm]:

900

5. Net Weight [kg]:

92.00

6. Gross Width [mm]:

840

7. Gross depth [mm]:

800

8. Gross Height [mm]:

1080

9. Gross Weight [kg]:

105.00

10. Device type:

Electric unit

11. Construction type of device:

Stationary

12. Power electric [kW]:

16.700

13. Loading:

400 V / 3N - 50 Hz

14. Protection of controls:

IP24

15. Device color:

Stainless steel

16. Material:

AISI 304 top plate and cladding

17. Indicators:

operation

18. Worktop type:

Molded - comfortable cleaning maintenance

19. Worktop material:

AISI 304

20. Worktop Thickness [mm]:

1.50

21. Service accessibility:

Trough the frontal panel

22. Adjustable feet:

Yes

23. Number of burners/hot plates:

4

24. Type of electric cooking zones:

Squared

25. Oven Type:

electrical static

26. Oven power electric [kW]:

6.30

27. Oven size:

GN 2/1

28. Type of internal part of the appliance 1 (eg oven):

Electric

Technical data sheet

Technical parameters



Electric range with static oven

Model

SAP Code

00008821

29. Type of internal part of the appliance 2 (eg oven):

Static

31. Maximum temperature of the inner chamber [°C]:

380

30. Gasket:

Yes

32. Minimum temperature of the inner chamber [°C]:

50